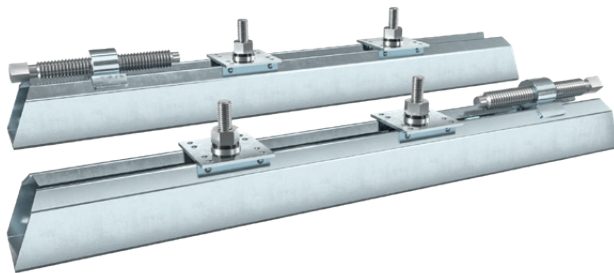




ANTRIEBSELEMENTE

Motor mounting systems



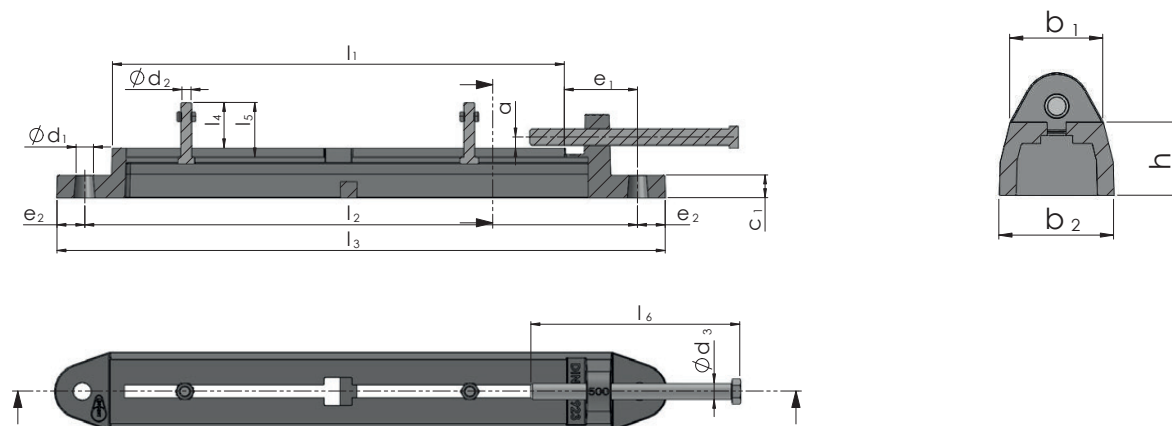
If performance is required

www.luetgert-antriebe.de

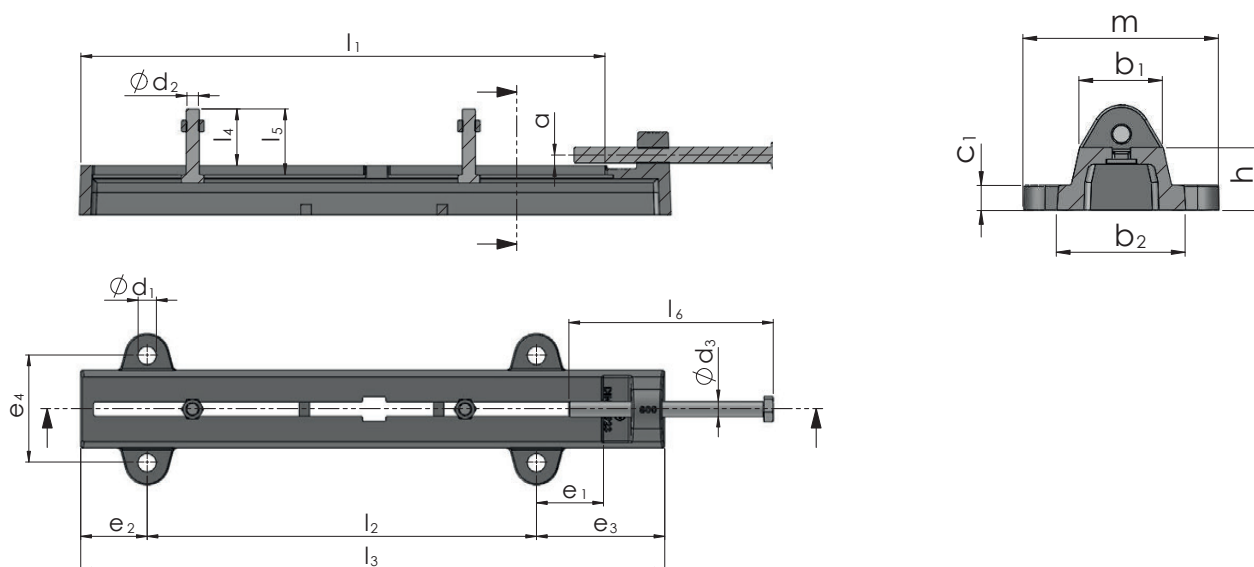
MOTOR SLIDE RAILS

DIN 42923

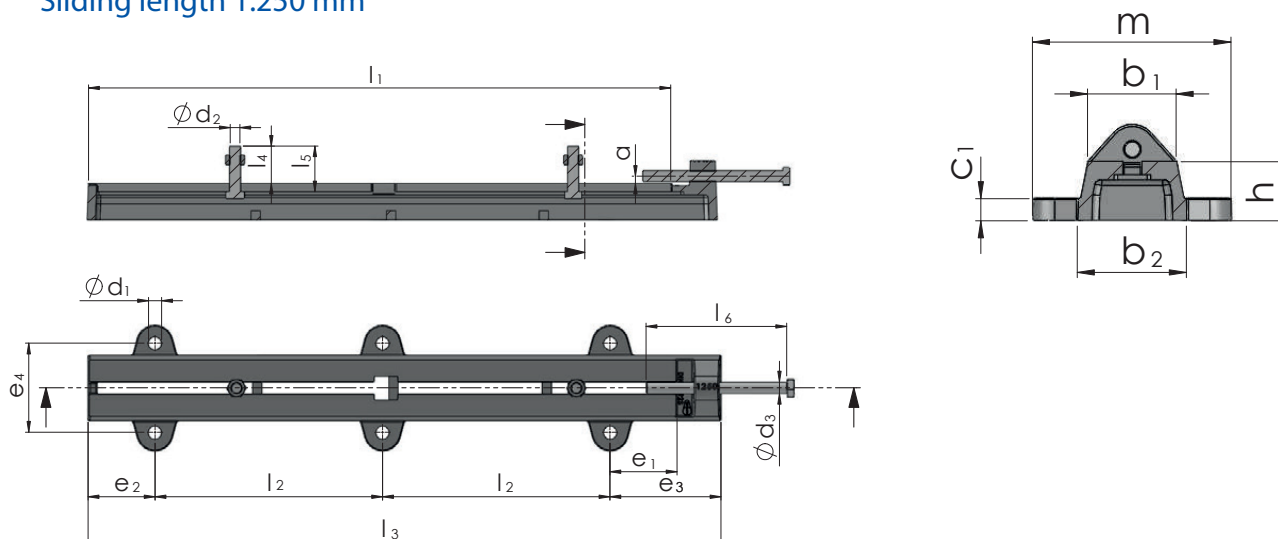
Sliding length from 265 to 500 mm



Sliding length from 630 to 1.000 mm



Sliding length 1.250 mm

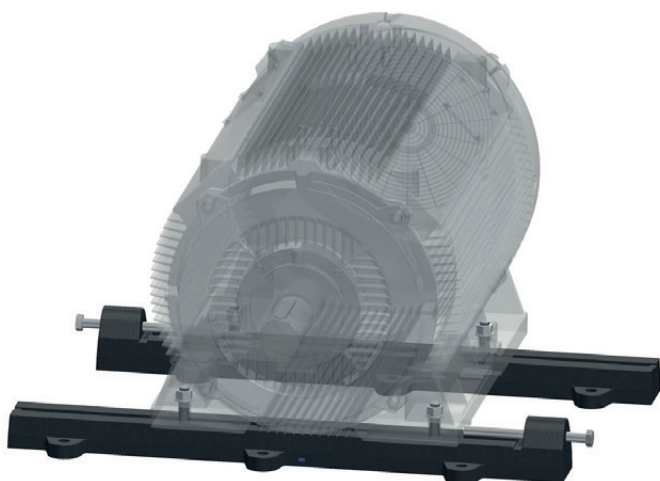


MOTOR SLIDE RAILS

DIN 42923

motor size	sliding length [mm]	dimensions [mm]														motor fixing bolts [mm]	clamping bolts [mm]	weight per set [kg]
		l ₁	a	b ₁	b ₂	c ₁	d ₁	e ₁	e ₂	e ₃	e ₄	h	l ₂	l ₃	l ₄			
80 90	265	6	40	50	18	10	45	15	-	-	35	325	355	28	-	M 8 x 35	M 10 x 120	3,0
	315	8	45	55	18	12	55	20	-	-	35	390	430	28	-	M 8 x 35	M 12 x 160	5,0
100	355	8	50	65	23	12	55	20	-	-	40	430	470	37	-	M 10 x 45	M 12 x 160	8,0
112 132	400	8	55	70	25	15	65	25	-	-	45	480	530	37	-	M 10 x 45	M 12 x 160	10,5
160 180	500	12	70	85	30	19	80	30	-	-	55	610	670	50	-	M 12 x 60	M 20 x 240	19,5
200 225	630	12	85	100	35	19	80	80	160	130	65	470	710	58	182	M 16 x 70	M 20 x 240	26,0
250 280	800	16	100	120	35	28	100	100	200	165	75	600	900	76	225	M 20 x 90	M 24 x 300	49,5
315	1000	16	120	140	40	28	140	140	240	190	80	720	1100	82	250	M 24 x 100	M 24 x 300	72,0
355	1250	16	120	140	30	28	140	140	240	190	80	485	1350	82	250	M 24 x 100	M 24 x 300	85,0

Example of use



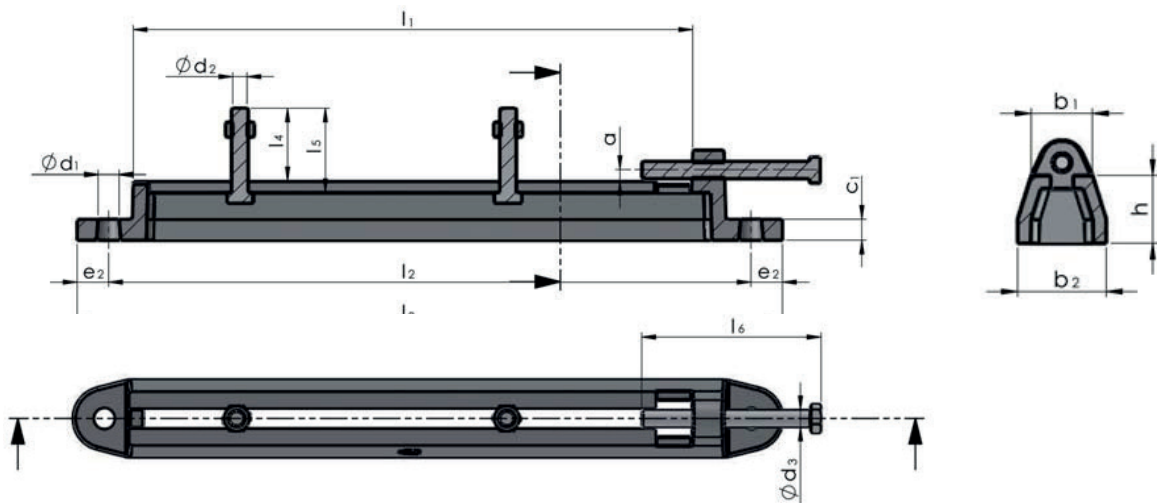
- Good damping characteristics due to material cast iron EN-GJL 200 according to DIN EN 1561
- Optimal adjustability
- Quick availability due to stock
- Delivery includes adjustment and fixing screws
- Delivery with galvanized screws possible
- Other dimensions on request



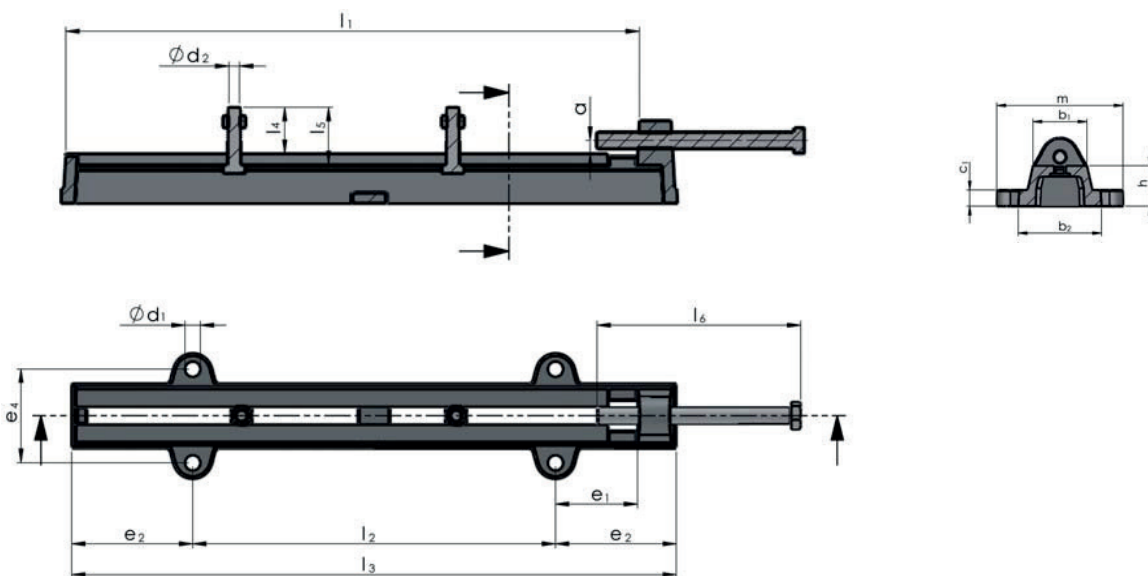
MOTOR SLIDE RAILS

LIGHT DESIGN

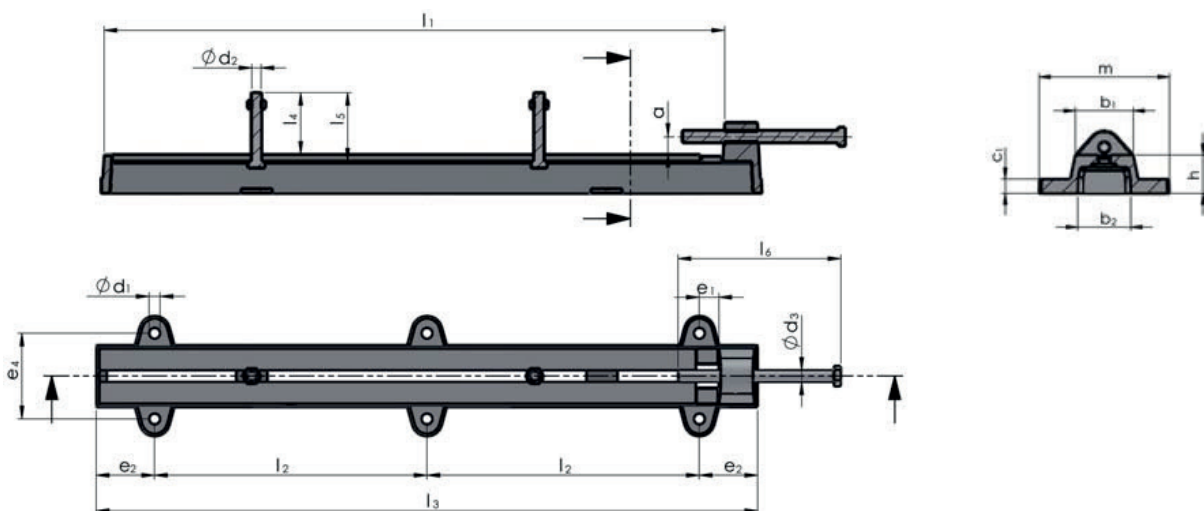
Sliding length from 250 to 650 mm



Sliding length from 700 to 1.500 mm



Sliding length from 1.600 to 2.200 mm

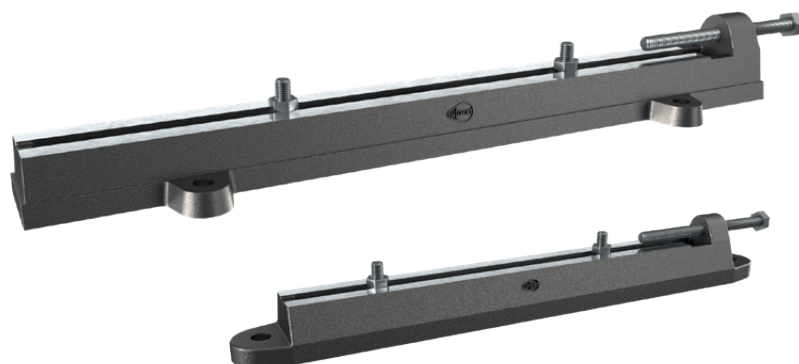


MOTOR SLIDE RAILS

LIGHT DESIGN

motor size	sliding length [mm]	dimensions [mm]														motor fixing bolts [mm]	clamping bolts [mm]	weight per set [kg]
		l ₁	a	b ₁	b ₂	c ₁	d ₁	e ₁	e ₂	e ₄	h	l ₂	l ₃	l ₄	m			
80 90	250	6	30	42	12	12	46	17,5	-	33	315	350	30	-	M 8 x 40	M 10 x 100	3,0	
100 110 132	330	8	34	50	13	15	43	22,5	-	35	390	435	35	-	M10 x 45	M 12 x 120	4,5	
160 180	400	8	38	55	15	15	43	22,5	-	42	460	505	48	-	M 12 x 60	M 12 x 120	6,5	
160 180	450	8	40	60	15	15	55	22,5	-	44	530	575	47	-	M 12 x 60	M 12 x 120	8,0	
160 180	500	8	45	65	18	15	55	22,5	-	48	580	625	47	-	M 12 x 60	M 12 x 150	12,0	
200 225	550	12	46	65	18	19	55	22,5	-	53	630	675	60	-	M 16 x 75	M 16 x 150	14,0	
200 225	600	12	50	70	18	19	55	25	-	55	680	730	59	-	M 16 x 75	M 16 x 150	16,0	
200 225	650	12	54	75	18	19	53	25	-	55	725	775	59	-	M 16 x 75	M 16 x 150	17,5	
250 280	700	16	65	80	18	19	105	150	115	60	450	750	86	155	M 20 x 100	M 20 x 200	25,0	
250 280	800	16	68	88	22	19	105	150	120	60	550	850	82	175	M 20 x 100	M 20 x 200	32,0	
250 280	900	16	70	92	22	19	100	153	130	68	650	955	80	185	M 20 x 100	M 20 x 200	40,	
315	1000	16	75	104	23	24	100	155	140	72	750	1060	100	200	M 24 x 125	M 24 x 300	54,0	
315	1100	16	80	105	23	24	120	185	140	74	800	1170	100	200	M 24 x 125	M 24 x 300	60,0	
315	1200	16	85	110	25	24	120	190	140	76	900	1280	100	200	M 24 x 125	M 24 x 300	70,0	
315 355	1300	16	85	115	25	28	120	180	160	78	1010	1370	125	225	M 24 x 150	M 24 x 350	77,0	
315 355	1400	16	90	120	25	28	145	215	165	80	1050	1480	129	245	M 24 x 150	M 24 x 350	95,0	
315 355	1500	16	90	120	30	28	145	215	170	90	1150	1580	122	250	M 24 x 150	M 24 x 350	110,0	
-	1600	45	140	160	40	28	55	150	220	100	700	1700	152	310	M 27 x 175	M 30 x 400	205,0	
-	1700	45	140	160	40	28	55	150	220	100	750	1800	152	310	M 27 x 175	M 30 x 400	215,0	
-	1900	45	160	180	45	28	55	150	250	110	850	2000	150	340	M 27 x 175	M 30 x 400	305,0	
-	2000	45	180	200	45	35	55	150	280	125	1000	2300	225	370	M 30 x 250	M 30 x 400	410,0	

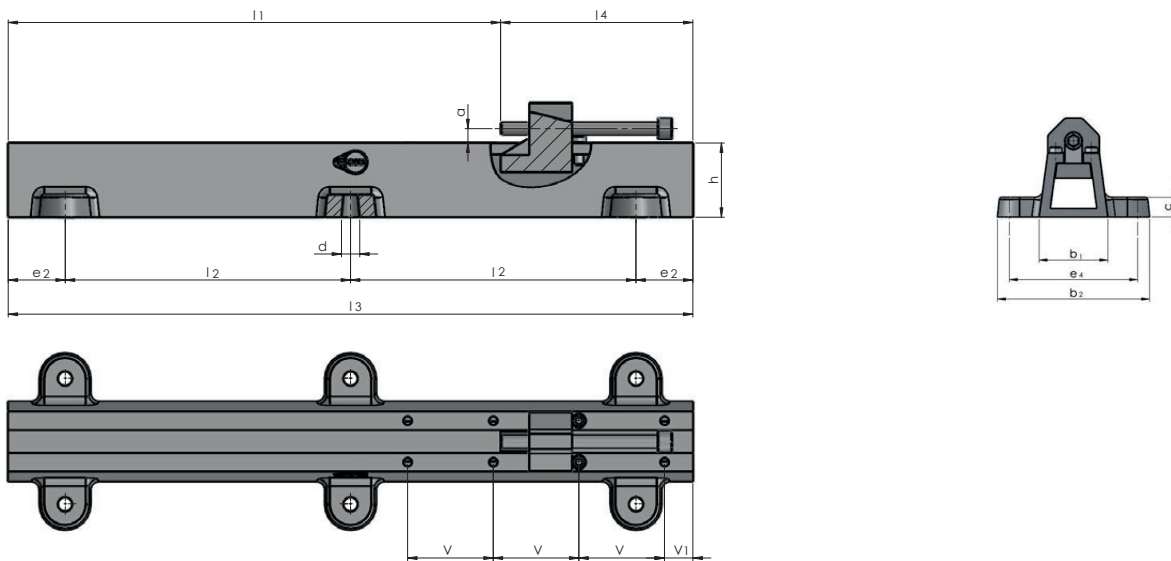
- Good damping properties (cast iron EN-GJL 200 according to DIN EN 1561)
- Optimal adjustability
- Up to sliding length 2.200 mm on request
- Quick availability due to stock
- Delivery includes adjustment and fixing screws
- Delivery with galvanized screws possible
- Stone bolts according to DIN 529 with hexagonal nuts can be provided



MOTOR SLIDE RAILS

WEN 40.003 | HEAVY DESIGN

Sliding length from 1040 bis 1800 mm



type	motor size	power range [kW]	sliding length [mm]	total length [mm]	dimensions [mm]												weight per set [kg]
					l_2	$l_{4 \text{ min}}$	a	b_1	b_2	c	d	h	e_2	e_4	V	V_1	
122	< 355	< 400	1040	1200	500	160	25	140	310	40	25	130	100	220	150	50	150
142	355	400	1240	1400	600	160	25	140	310	40	25	130	100	220	150	50	175
162	405	630	1440	1600	600	160	25	140	310	40	25	130	200	220	150	50	195
183	455	900	1600	1800	775	160	25	180	360	50	40	140	125	270	150	50	300
203	505	1200	1800	2000	775	160	25	180	360	50	40	140	225	270	150	50	360

The WEN slide rails are a proprietary development of our company. For the selection of the optimum size, we have given the recommended performance data as a guide. However, we will be glad to advise you specifically on the optimum solution for your drive.

- Company standard design for heavy drives and highest performances
- Excellent damping characteristics (EN-GJL-200)
- Optimal adjustability with highest stability
- Good thermal conductivity
- Delivery inclusive adjustment screws and fixation screws
- Galvanized screws also available

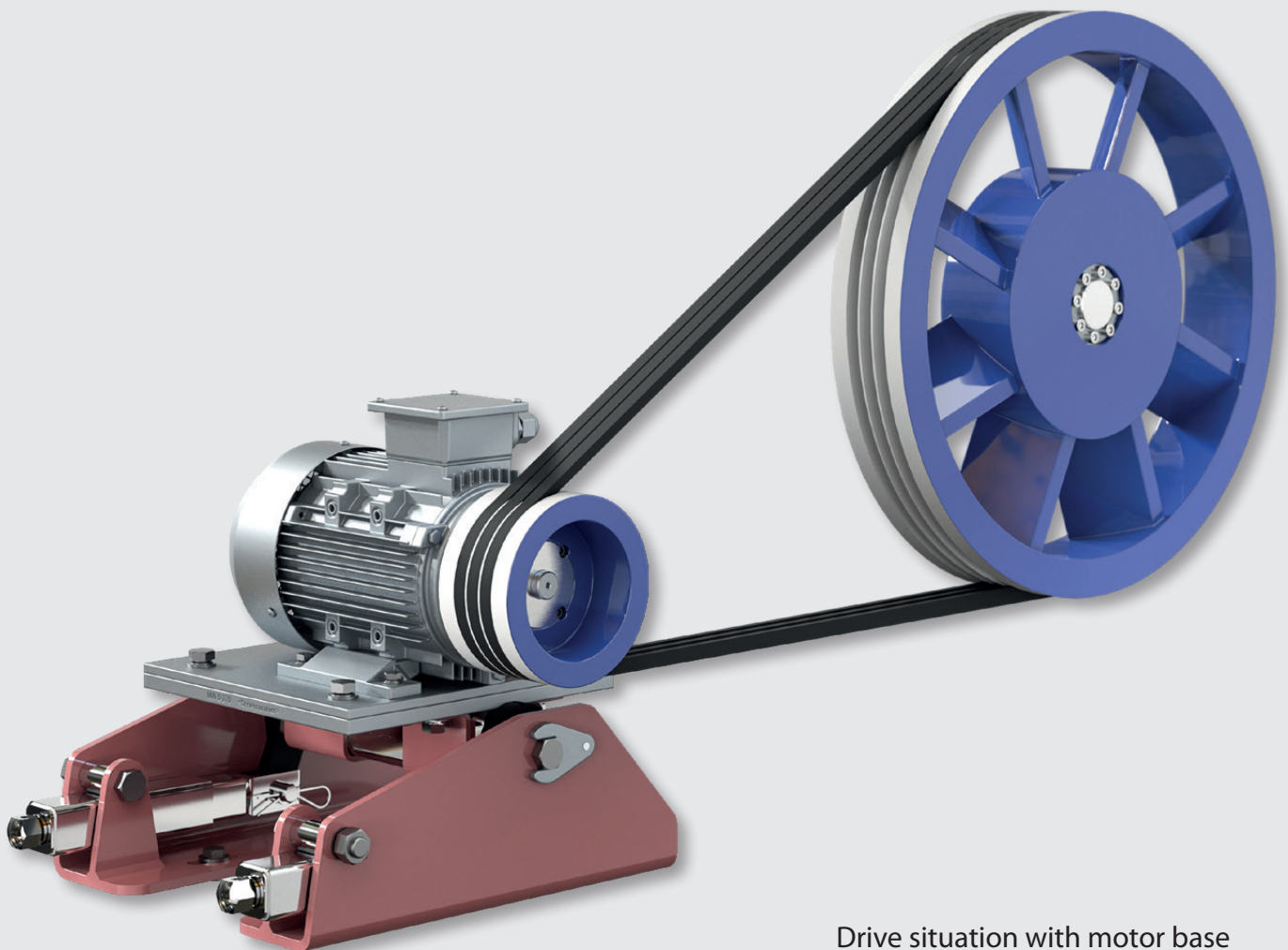
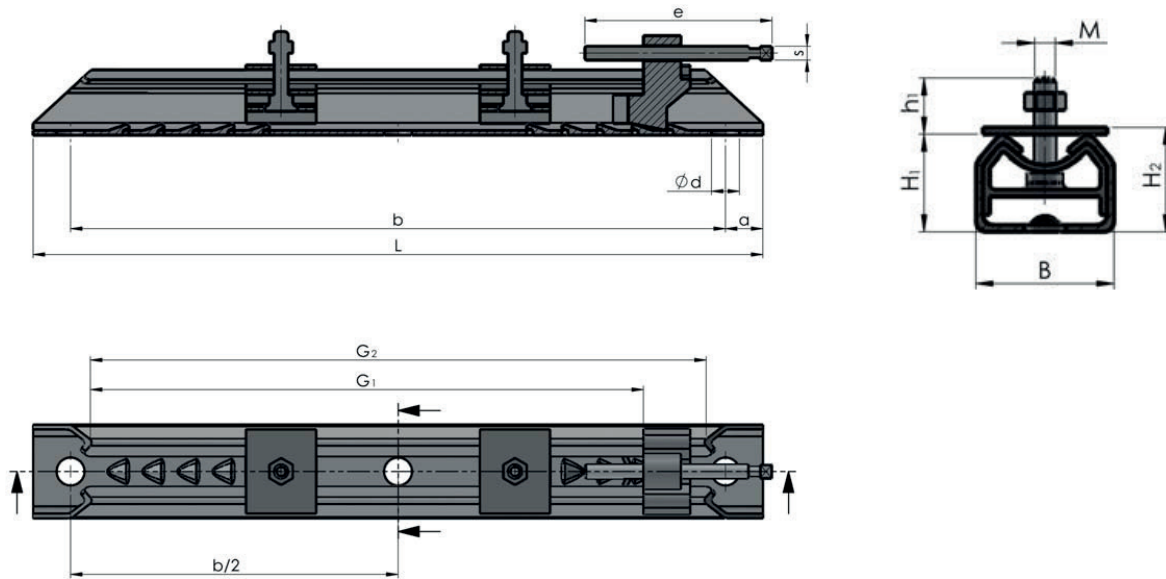


MOTOR SLIDE RAILS

STEEL

Sliding length from 240 to 1065 mm

Version with adjustable clamping piston



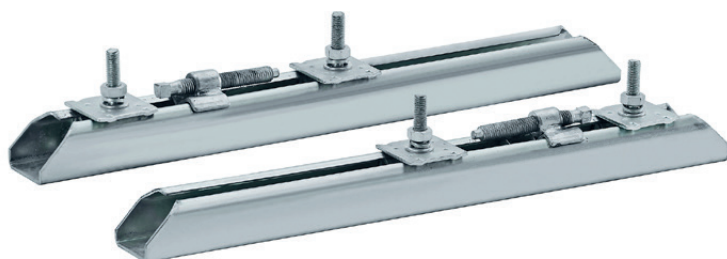
Drive situation with motor base

MOTOR SLIDE RAILS

STEEL

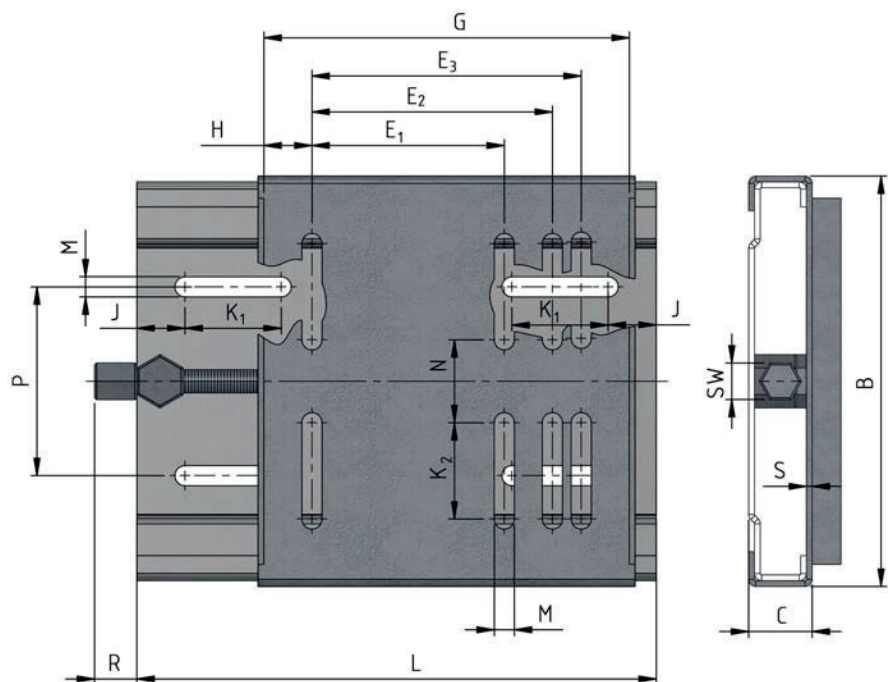
motor size	type	sliding length [mm]	total length [mm]	dimensions [Nm]		dimensions [mm]								weight per set [kg]
				M x h1	e x s	G ₂	a	b	b/2	Ø d	B	H ₁	H ₂	
63 71	312/6	240	312	M 6 x 19	75 x 6	262	16	280	-	12	40	28	30	1,4
80 90	312/8	240	312	M 8 x 27	75 x 6	262	16	280	-	12	40	28	30	1,5
63 71	375/6	305	375	M 6 x 19	75 x 6	325	16	343	-	12	40	28	30	1,5
80 90	375/8	305	375	M 8 x 27	75 x 6	325	16	343	-	12	40	28	30	1,6
100 112	375/10	305	375	M 10 x 35	75 x 6	325	16	343	-	12	40	28	30	1,6
80 90	395/8	302	395	M 8 x 28	97 x 8	325	20	355	-	12	50	40	43	3,4
100 112	395/10	302	395	M 10 x 32	97 x 8	325	20	355	-	12	50	40	43	3,4
80 90	495/8	405	495	M 8 x 29	97 x 8	425	20	455	-	12	50	40	43	4,0
100 112 132	495/10	405	495	M 10 x 35	97 x 8	425	20	455	-	12	50	40	43	4,0
160	495/12	405	495	M 12 x 49	97 x 8	425	20	455	-	12	50	40	43	4,0
132	530/10	413	530	M 10 x 37	119 x 19	442	25	480	-	14	60	50	54	6,4
160	530/12	413	530	M 12 x 49	119 x 19	442	25	480	-	14	60	50	54	6,4
132	630/10	515	630	M 10 x 37	119 x 19	542	25	580	-	14	60	50	54	8,2
160 180	630/12	515	630	M 12 x 45	119 x 19	542	25	580	-	14	60	50	54	8,2
160 180	686/12	538	686	M 12 x 43	154 x 12	575	28	630	315	18	75	60	64	12,8
200 225	686/16	538	686	M 16 x 62	154 x 12	575	28	630	315	18	75	60	64	12,8
200 225	864/16	700	864	M 16 x 60	300 x 16	810	32	800	400	24	90	75	-	16,6
250 280	864/20	700	864	M 20 x 68	300 x 16	810	32	800	400	24	90	75	-	16,6
250 280	1075/20	865	1072	M 20 x 77	360 x 19	995	36	1000	500	30	112	100	-	33,4
315	1072/24	865	1072	M 24 x 88	360 x 19	995	36	1000	500	30	112	100	-	33,4
315 355	1330/24	1065	1330	M 24 x 95	430 x 33	1215	40	1250	625	30	130	125	-	56,6

- For all common motor sizes
- Easy to install, time-saving, good value
- Optimal and quick adjustability, flexible use
- Corrosion protection by galvanisation
- Weight-optimised design
- Ideal solution for light drives



MOTOR SLIDES

STEEL | MONOPLATE



motor size	dimensions [mm]																
	L	B	C	E ₁	E ₂	E ₃	G	H	J	K ₁	K ₂	M	N	P	R	SW	S
63 - 90	270	194	33	100	125	140	190	25	25	50	50	10,5	33	98	200	19	3
90 - 120	307	213	33	140	160	190	255	32,5	28	50	50	10,5	62	108	20	19	3
100 - 132	340	290	40	160	190	216	286	35	28	63	47,5	12,5	120	165	25	22	4
100 - 132	430	290	40	160	190	216	286	35	28	63	47,5	12,5	120	165	25	22	4
160 - 180	430	370	40	-	254	279	379	50	30	62	62	12,5	163	248	25	22	4
160 - 180	490	370	40	-	254	279	379	50	30	62	62	12,5	163	248	25	22	4
180 - 200	490	410	40	-	279	318	420	50	30	60	52	17	225	285	25	22	4
200 - 225	585	450	50	-	318	356	468	56	30	60	52	17	248	300	25	22	5
250	600	470	65	-	-	406	515	54,5	30	60	70	22	229	320	25	28	5
280	735	570	65	-	-	457	585	64	30	70	70	22	320	420	25	28	5



MOTOR SLIDES

STEEL | MONOPLATE

Slideway V_{min}

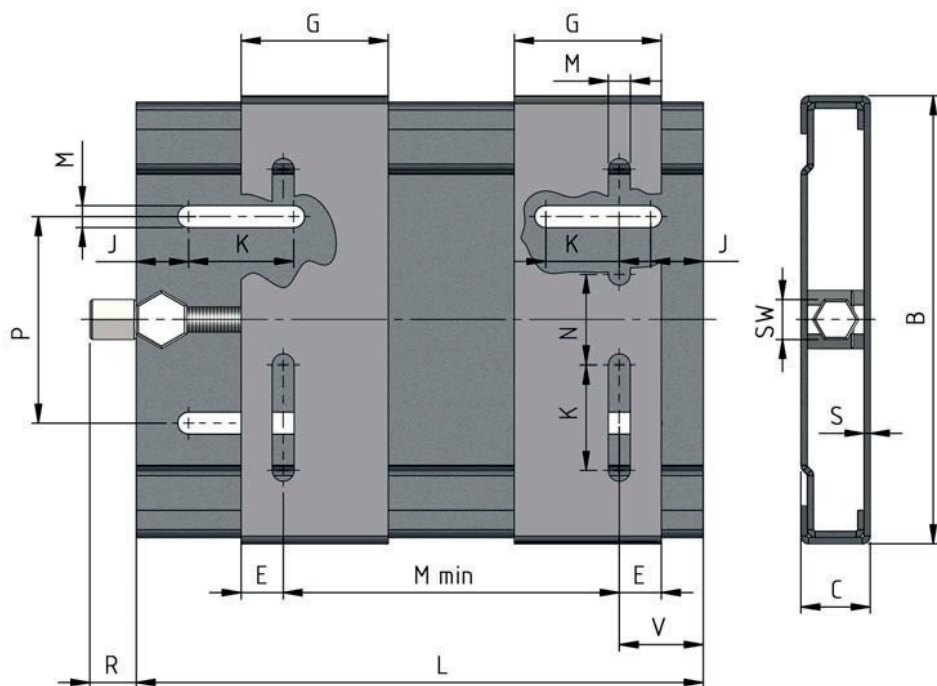
size	motor size												weight kg	
	63	80	90	100	112	132	160	180	200	225	250	280		
270	80	80	80											3,1
307			52	52	52									4,1
340				54	54	54								7,9
430				144	144	144								8,9
430							51	51						12,0
490							111	111						12,7
490								70	70					14,6
585									117	117				23,7
600											85			28,1
735												150		38,2

- For all common motor sizes
- Easy to install, time-saving
- Optimum and quick adjustability, flexible use
- Corrosion protection by cathodic dip painting (KTL)
- Also available in galvanised version
- Weight-optimised design
- Ideal solution for light drives
- For heavy drives slide rails made of EN-GJL 200



MOTOR SLIDES

STEEL | DUOPLATE WITH DIVIDED PLATE



motor size	dimensions [mm]													
	L	B	C	M _{min}	G	E	J	K	M	N	R	P	SW	S
63 - 80	210	195	33	100	70	20	25	50	10,5	43	30	98	19	3
63 - 90	270	195	33	100	70	20	25	50	10,5	43	30	98	19	3
90 - 132	340	290	40	140	95	27	29	62,5	12,5	90	30	165	22	4
90 - 160	430	290	40	140	95	27	29	62,5	12,5	90	30	165	22	4
160 - 180	490	410	40	110	95	40	30	60	15	193	30	284	22	4

Slideway V_{min}

size	motor size									weight kg
	63	71	80	90	100	112	132	160	180	
210	70	58	45							2,3
270	130	118	105	90						2,7
340				146	126	96	70			6,3
430				236	216	186	160	122		7,4
490							156	131		11,7

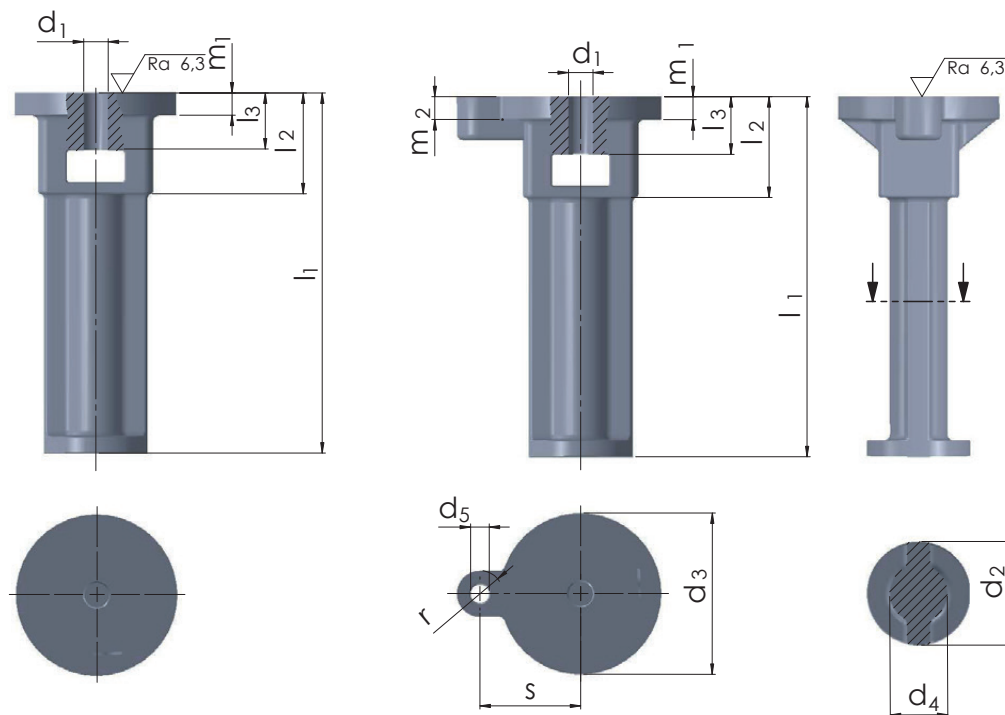


FOUNDATION BLOCKS

DIN 799

FORM A | WITHOUT CAM

FORM B | WITH CAM



dimensions [mm]											form A weight/piece	form B weight/piece
d ₁	l ₁	d ₂	d ₃	d ₄	d ₅ **	l ₂	l ₃	m ₁	m ₂ **	s**	[kg]	[kg]
M 10	125	36	56	20	M 8	35	20	8	15	35	0,6	0,75
M 12	150	40	72	22	M 12	40	22	10	20	50	1,0*	1,1
M 16	180	45	85	25	M 12	50	25	12	20	62	1,6	1,7
M 20	200	50	100	28	M 12	56	28	14	20	73	2,4	2,5
M 24	250	64	125	36	M 16	70	36	18	25	80	4,0*	4,5
M 30	280	72	140	40	M 16	79	40	20	25*	100	6,5*	6,5*
M 36	335*	90	180	50	M 20	100	50	25	25*	115	11,0*	12,0*
M 42	425	112	225	60	M 20	120	60	28	30*	140	21	21,5
M 48	475	125	250	64	M 24	129	64	30	32*	150	31,0*	31,0

* Deviating from DIN 799

** Form B with cams for adjustment (with grub screw DIN 914)

Excessive length upon request.

Measures of casted, unmachined surfaces acc. to tolerances GTB DIN 1686.

The foundation block can differ from drawing above. Measures are in accordance with DIN (table above).



UNIVERSAL TENSIONER DEVICES

ABSORBING - TENSIONING - CUSHIONING - OSCILLATING

RESATEC rubber spring elements are made of a high-quality rubber compound and are maintenance-free. The versatile elements can perform several functions at the same time: absorbing, tensioning, cushioning and oscillating. Depending on the application, the rubber suspension unit can be used pre-tensioned. These properties result in an economic advantage over components with only single functions. Despite the simple system of the rubber suspension unit, a wide range of products can be offered.



The **rubber suspension unit** is an universal, elastic mounting for mechanical machine parts and combines a torsion spring in two acting directions in one component



The **tensioner device** is a universal belt and chain tensioner and the cost-sensitive alternative to tension- and pressure spring.



The **oscillating units** are elastic mountings for screening machines, oscillating trough conveyors, circular oscillating screens and gyratory sifters. The rockers are used for crankshaft-driven conveying/screening/sorting systems



The **vibration absorbers** offers according the building type the possibility to attenuate vibrations and shocks and in case of the rubber material an excellent solid-borne sound insulation.

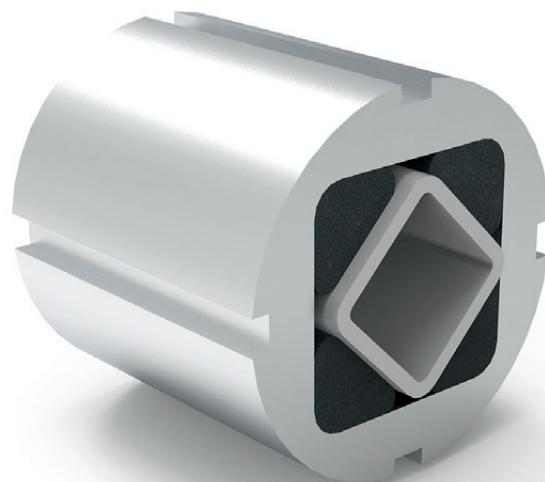
Rubber suspension units are also custom-made.

Rubber suspension units in focus

Due to their simple handling and ease of installation, rubber spring elements are used in all industrial sectors and are particularly appreciated in mobile applications. With a torsion angle of +/- 32° and almost unlimited connection possibilities, they are ideally suited for modern, maintenance-free mechanical engineering.

Industries and application examples

- Conveyor technology, elevators
- Road machinery and municipal vehicles
- Crushing technology
- Chippers and crushers (mobile and stationary)
- vibrating screens
- Mill construction
- Compressors and pumps
- Agricultural machinery
- Lift technology
- Passenger transport



MOTOR MOUNTING SYSTEMS

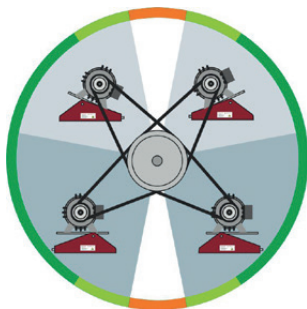
MOTOR BASES

The universal motor bases are perfect for friction belt drives from 7.5 to 200 kW motors. According to the number of belts and belt type, the base can be adjusted in a continuously variable way. It is equipped with two integrated axle stabilizers, robust and maintenance-free pretensioning device and a screw head bracket for simple and safe one-man installation.

The mounting holes for all motor housing sizes (IEC 160M-225M/NEMA of 254T-365T, (IEC 250S - 315M / NEMA 404T - 447T) are already provided. The use of the motor base guarantees the optimal belt tension at any time. This means minimum maintenance and maximum efficiency through a perfect traction.

Advantages at a glance

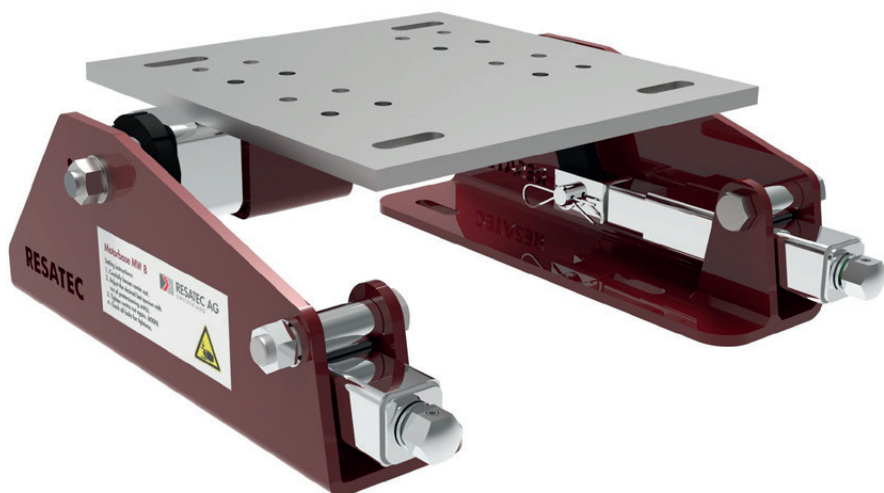
- The time needed to change the V-belt is reduced by 50 %.
- No need to realign the two drive pulleys when changing.
- Up to four times longer belt life due to correct tension.
- Fewer operating interruptions and protection of the pulleys, bearings and motor axles.
- Less energy consumption due to optimally tensioned V-belts
- Accident prevention through safe and easy handling
- All parts galvanised
- Maintenance-free



- Drive above**
motor plate is inclined 30°
- max. clamping range, opt. positioning
possible positioning
clarification necessary
- Drive below**
motor plate is horizontal

Installation areas

The motor plate of the motor base is delivered „offset“ mounted. Depending on requirements, it can also be mounted „centrically“ above the axle. Corresponding mounting holes are already provided. For an increased angle of attack (drive above), the pre-tensioning levers can be dismantled and remounted in a 45° offset position.



BELT TENSION TESTER

ANALOG TENSION TESTING

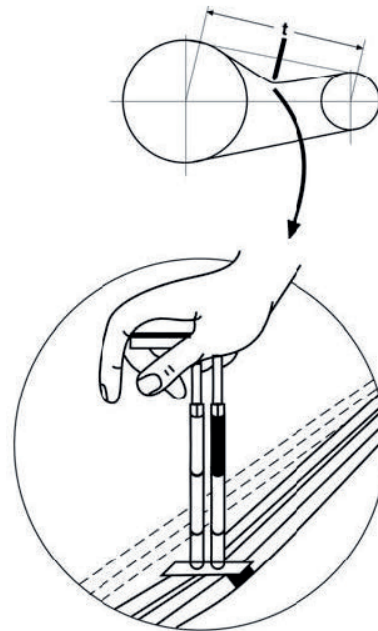
In the middle of the span length, measure the force needed to deflect the belt or power band 1 mm per 100 mm of span length. With single belts or a power belt, at least one pulley must be able to rotate.

If the measured force is too low, the drive belt must be retightened.

New belts must be tensioned with the maximum deflection force.

profil single belt	M	Y	profil power belt	M
Z	0,005	0,9		
A	0,009	1,3	A	0,011
B	0,014	1,9	B	0,017
C	0,026	3,0	C	0,031
D	0,052	6,3	D	0,059
AX	0,008	1,3		
BX	0,013	1,9		
CX	0,023	3,0		
SPZ 3V	0,0066	1,5	9J 3V	0,008
SPA	0,012	2,0		
SPB 5V	0,017	2,6	15J 5V	0,021
SPC	0,032	4,1		
8V	0,046	6,0	25J 8V 8VK	0,053
XPZ 3VX	0,006	1,5	3VX	0,007
XPA	0,0104	2,0		
XPB 5VX	0,013	2,6	5VX	0,016

Factor M and Y in relation to the profile type



Tension Tester

The analogue tension tester consists of a calibrated spring on which one can read the deflection on the one hand and the deflection force on the other. Both measured values are indicated on a scale with the help of a rubber „O-ring“.

The lower ring is used to set the calculated deflection (t) on the distance scale. The upper ring is in the zero position on the deflection scale.

The tension tester is placed in the centre of the belt (perpendicular to the span length). Counterpressure is applied to deflect the belt to the dimension set on the lower scale. A steel ruler or tape placed over the belt makes for easier reading.

The upper „O-ring“ has now slid down the upper scale and shows the deflection force on the upper ring side. The displayed value is compared with the minimum and maximum formula to compare with the minimum and maximum forces.



ACOUSTIC MEASURING DEVICE FOR BELT TENSION

LüCo TensionPro2©

Precise pre-tensioning extends the service life of your belt drive in the long term and prevents overloading of the drive components. The belt tension calculated by the manufacturer can be set precisely using the LüCo TensionPro 2© belt tension measuring device.

- Non-contact, acoustic measuring technology with highly sensitive sensor for precise measurement of the belt tension
- Suitable for all belt and tension member types
- Small sensor head on the flexible gooseneck for measurements even in hard-to-reach places
- Ergonomic shape for optimum one-handed use
- Integrated, rechargeable lithium polymer battery
- Additional functions via app use



ALIGNMENT LASER FOR PULLEYS

LüCo LaserPro©

Optimal alignment of the drive belt can reduce slip and friction losses. In addition, the economic efficiency and service life are increased. The LüCo LaserPro© measuring tool facilitates the installation of the drive belt and is helpful for maintenance documentation.

- Compact and handy design
- Also suitable for large center distances
- Measurement of parallel and angular misalignment
- Can be used on all materials with adhesive pads and magnets
- Can also be used for other drives (e.g. chain drives)



LüCo SERVICE-KIT

consisting of LüCo TensionPro2© and LüCo LaserPro©



PRODUCT OVERVIEW

EXCERPT

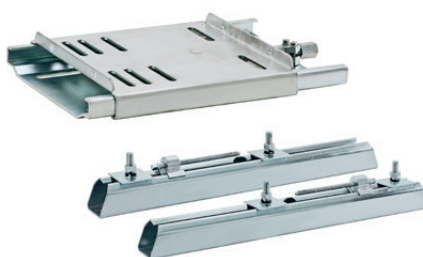
Drive pulleys

V-belt pulleys | V-belt pulleys | Flywheels | Grid pulleys | Timing belt pulleys | Rubberized Pulleys | Split pulleys | Aluminium pulley



Supplies for drive belts

TaperLock clamping bushes | Motor mounting systems | V-belts / Drive belts | V-belt metrology | Rubber suspension units
Oscillating mountings | Tensioner devices | Foundation blocks | Shafts and rolls



More information desired?

www.luetgert-antriebe.de



Lütgert & Co. GmbH
Friedrichsdorfer Straße 48
33335 Gütersloh | Germany

Phone: 05241 7407-0
vertrieb@luetgert-antriebe.de
www.luetgert-antriebe.de

